

Oil separators

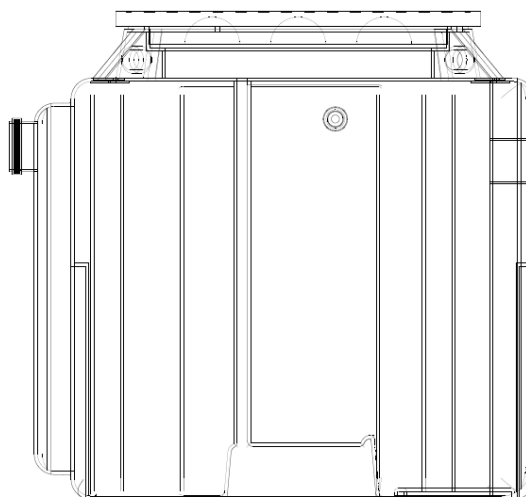
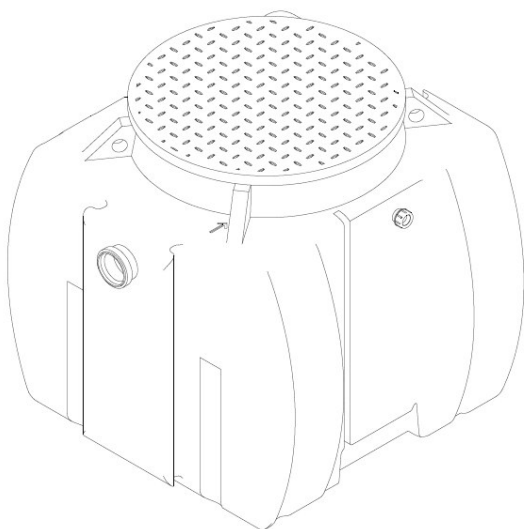
I Class 1 - output < 5 mg/l

- Light range -

▲ LK

Sludge trap Coalescing filter

Art. #	Flow l/s	L mm	l mm	H mm	Vol. S.T. l	Vol. sep. l	Tot. vol. l	Nb open.	Weight Kg
LK 1,5	1,5	1120	1185	1152	150	650	800	1	98
LK3	3	1221	1270	1152	300	700	1000	1	106
LK6	6	1613	1270	1152	600	900	1500	1	121
LK 10	10	2250	1633	1152	1000	1400	2400	2	172



▲ LKB

By-pass Sludge trap Coalescing filter

Art. #	Flow l/s	L mm	l mm	H mm	Vol. S.T. l	Vol. sep. l	Tot. vol. l	Nb open.	Weight Kg
LKB 1,5	1,5	1120	1185	1152	150	650	800	1	101
LKB3	3	1221	1270	1152	300	700	1000	1	110
LKB 6	6	1613	1270	1152	600	900	1500	1	126
LKB 10	10	2250	1633	1152	1000	1400	2400	2	179

